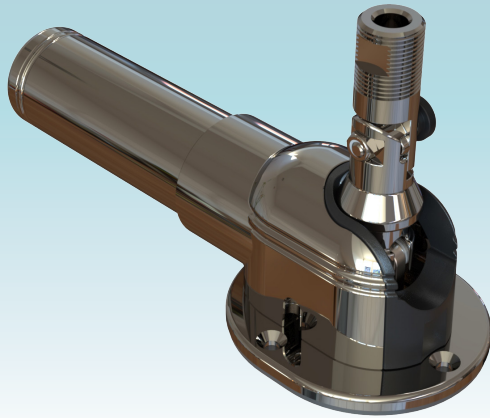




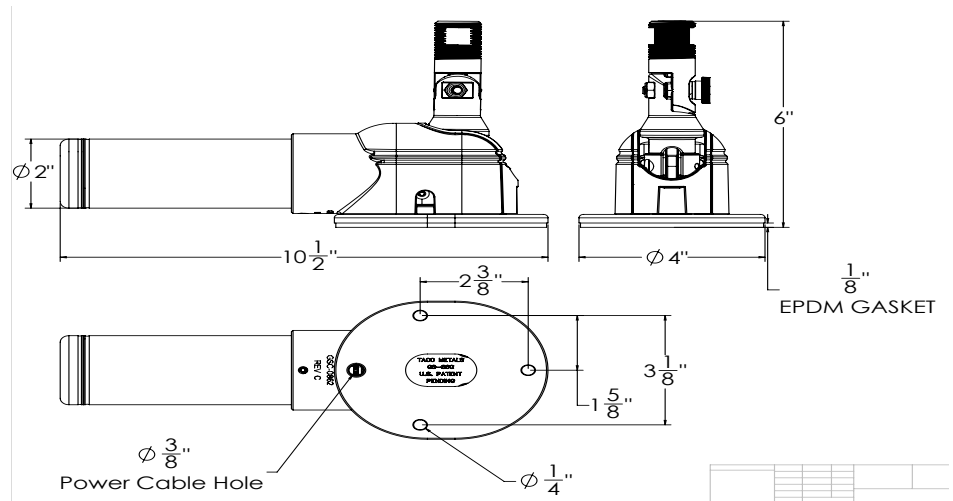
GRAND SLAM 860 ELECTRIC VHF ANTENNA MOUNT



The Grand Slam 860 Electric VHF Antenna and Navigation Light Mount combines enhanced safety, durability, and style. As the successor to the popular GS-850, the Grand Slam 860 boasts a robust stainless-steel body and a stainless-steel Type-316L breakaway pin for exceptional weather resistance. It features a new stainless-steel anti-backlash linear screw drive, ensuring greater durability. The mount's oblong shape allows for a longer, more powerful motor - delivering superior performance at sea. Boaters can easily adjust their VHF Antenna from the deck with the push of a button, thanks to the auto-rotating stop feature and manual stop option. This fully electric unit includes a hidden base wire for a sleek installation on the hardtop and uses a water-sealed Deutsch connector for wiring. It retains the same hole pattern as the GS-850, facilitating straightforward upgrades, and is compatible with all top thicknesses.

FEATURES & BENEFITS

- ▶ Standard 1"-14 thread (male) shaft to accept standard VHF antennas up to 8'
- ▶ No under-mount clearance required
- ▶ Polished stainless-steel body with a mirrored finish
- ▶ Stainless-steel threaded screw drive ensures smooth lift and descent
- ▶ High-torque, anti-backlash ball-bearing motor
- ▶ Oil-lite bronze bushings for smooth operation
- ▶ Integrated nylon knob on the stainless-steel breakaway pin allows for manual operation in case of power failure
- ▶ Electronic Control Module (ECM) features an industry-standard On-Off-On control switch
- ▶ ECM includes a 5A fuse for device protection
- ▶ Comes with a 12" wire lead and water-sealed Deutsch connector, using 18-gauge wire from the base
- ▶ Operates on 12-volt DC for lift and descent
- ▶ Pairs with Backing Plate (BP-0850AEY), sold separately
- ▶ Pairs with 6° Wedge Plate (WP-850-950), sold separately
- ▶ Sold individually



PART NUMBER	DESCRIPTION	WEIGHT	UNIT	CoO
GS-860	Grand Slam 860 Electric VHF Antenna Mount	6 lbs.	Each	USA